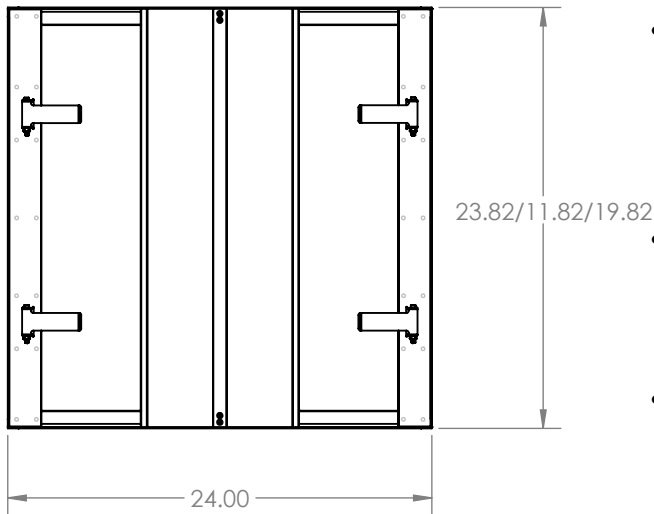
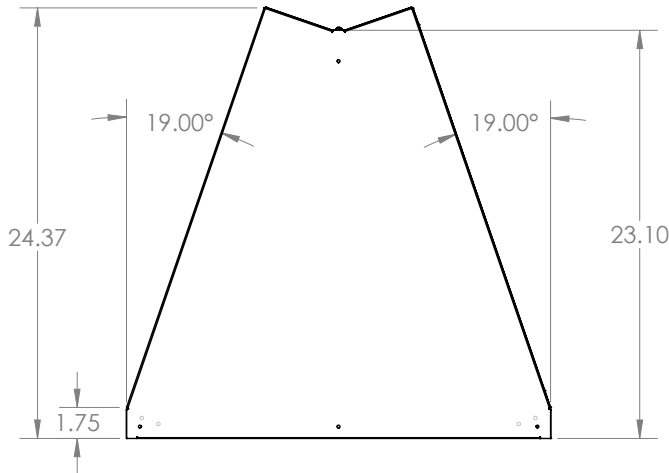




PRODUCT DATA SHEET

V-FACE™ Filter Holding Frame



- 20 gauge galvanized (stainless steel) construction.
- 1" filter discharge flanges with 3/8" thick neoprene / blended gasket.
- Manufactured to hold two (2) standard size 4" deep filters with optional pre-filter link.
- Factory mounted hinged filter compression clamps.
- 5/32" pre-drilled holes provided as indicated for field connection of adjacent frames by means of rivets, screws, etc.
- Synthetic latex sealant used as required to further prevent frame leakage.
- Manufactured in the U.S.A.

Model Number	Actual Height	Actual Width	Actual Depth	Weight	Filter Quantity and Size
VM-242424-04-G	23.82"	24.00"	24.37"	17.50 lbs.	(2) 24"x 24"x 4"
VM-122424-04-G	11.82"	24.00"	24.37"	13.25 lbs.	(2) 12"x 24"x 4"
VM-202424-04-G	19.82"	24.00"	24.37"	16.00 lbs.	(2) 20"x 24"x 4"

For more information, visit our website at www.v-faceproducts.com or call us at 888-299-9272.

Made in the U.S.A. | V-FACE™ is a registered trademark of the Jack T. Carter Company, Inc.

May be protected by one or more patents including patent numbers. D727,487; D742,496; other patents pending.